



Project _____
 Item # _____
 Quantity _____

SPECTRUM
Commercial Gas
Stock Pot Stove, Natural / LP

Model: NGSP-1

The Spectrum Gas Stock Pot Stove is designed with stainless steel construction for the kitchen that has limited space and requires a low work height for large, sizeable pots/kettles.

This unit is equipped with a high-performance triple-ring burner, heavy duty single piece cast iron top grate, removable grease/drip pan and a convenient storage area below the control panel.

Includes an LP conversion kit.

Standard Features

- ◆ High performance single (1) grate with three (3) concentric ring burners for a total output of 80,000 BTU
- ◆ Dual infinite heat controls
- ◆ Stainless steel body, legs and drip pan
- ◆ Heavy duty cast iron grate
- ◆ Standing pilot ignition system
- ◆ 3/4" rear gas connection with regulator
- ◆ Convenient storage area in cabinet
- ◆ Conversion kit allows the use of propane or natural gas
- ◆ CSA listed for commercial and outdoor use
- ◆ One year parts and labor warranty

Burners: Two (2)
 Burner Rings: Three (3)
 BTU/per Burner: 40,000
 BTU/total per HR: 80,000
 Pressure in W.C.: 5 / 10

CSA listed for commercial and outdoor use



NGSP-1



For California Customers

WARNING: Cancer and Reproductive Harm - www.P65Warnings.ca.gov

214-843-7078

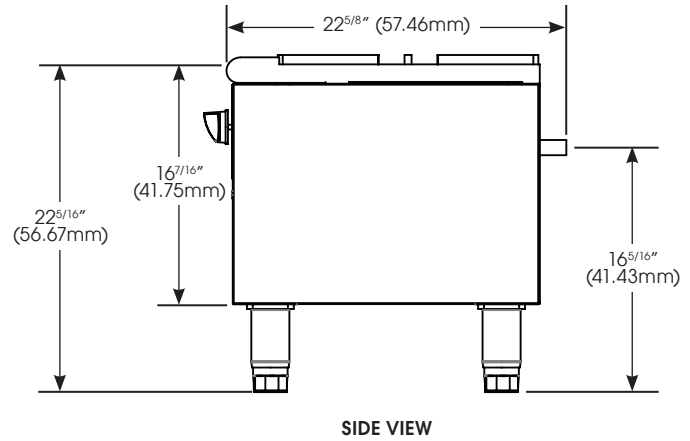
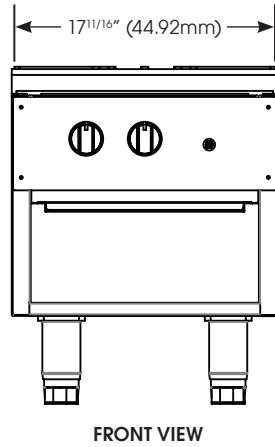
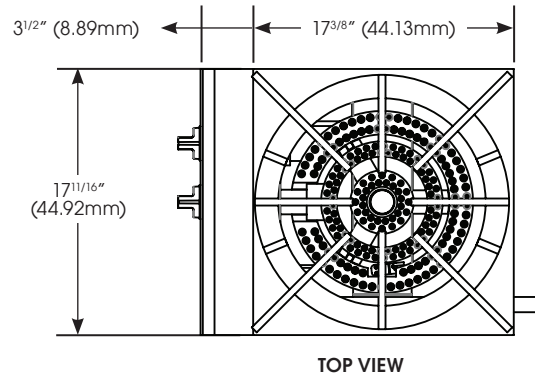
doug@redriverkitchens.com

redriverkitchens.com

Serving North Texas



SPECTRUM
Gas Stock Pot Stove
 Model: NGSP-1



Specifications

MODEL	DESCRIPTION	# OF BURNERS	# OF RINGS	BTU/PER BURNER	TOTAL BTU/HR	PRESSURE IN. W.C.	DIMENSIONS			GRATE SURFACE		SHIP WEIGHT
							WIDTH	DEPTH	HEIGHT	WIDTH	DEPTH	
NGSP-1	Gas Stock Pot Stove	2	3	40,000	80,000	5 / 10	17.9" (454.6mm)	21.38" (543mm)	25.7" (652.7mm)	17.69" (449.3mm)	21.38" (543mm)	132 lbs (60 kgs)

Note: Depths do not include gas inlet pipe, located at rear of the unit.

Gas Requirements and Information

- Natural or LP gas main supply required
- 3/4" NPT male connection, all units supplied with natural gas and convertible LP gas regulator

Product Specs
Gas Stock Pot Stove

The Gas Stock Pot Stove model NGSP-1 as manufactured by Winco®, Lodi, NJ 07644.

The Gas Stock Pot Stove shall be rated at 80,000 total BTU/HR with dual infinite heat controls, 3/4" rear gas connection with regulator and be up to 25.7" overall height. The Gas Stock Pot Stove shall consist of a single cast iron grate top, two burners, standing pilot ignition system, stainless steel housing, grease tray. Natural gas supplied standard. Conversion kit included for LP. Not to be used on casters or on countertop.

CSA listed for commercial and outdoor use.

Warranty consists of one year parts and labor.

